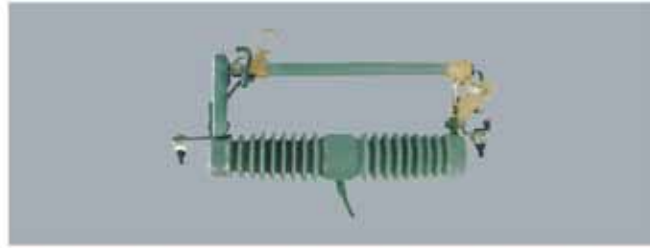
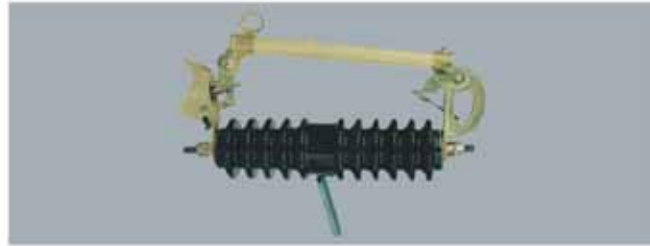


12KV-15KV



FUSE CUTOUT



YDF-001

YDF-002

YDF-003

Type	Rated voltage(kV)	Rated Current(A)	Breaking Current(A)	Impulse voltage(BIL)	Power-frequency withstand voltage	Leakage distance (mm)	Weight (kg)	Dimensions(cm)
YDF-001	15	100/200	10000/12000	110	40	230	7.3	38.5 x 34.5 x 15
YDF-002a YDF-002b	15	100/200	10000/12000	110	40	230	7.5 7.3	38.5 x 34.5 x 10.5
YDF-003	11	100/200	6000/8000	110	45	530	12	51.5 x 51.5 x 13

YDF-004

YDF-005

YDF-006

Type	Rated voltage(kV)	Rated Current(A)	Breaking Current(A)	Impulse voltage(BIL)	Power-frequency withstand voltage	Leakage distance (mm)	Weight (kg)	Dimensions(cm)
YDF-004	15	100/200	10000/12000	110	40	280	8.5	41 x 36 x 13
YDF-005	15	100/200	6000/8000	110	40	320	7.8	48 x 31 x 14.5
YDF-006	11	100/200	6000/8000	110	42	340	7.5	49 x 27 x 11.5

12KV-15KV



YDF-007



YDF-008



YDF-009

40.5KV

Type	Rated voltage(kv)	Rated Current(A)	Breaking Current(A)	Impulse voltage(BIL)	Power-frequency withstand voltage	Leakage distance (mm)	Weight (kg)	Dimensions(cm)
YDF-007	15	100/200	10000/12000	110	40	350	3.5	42 x 35 x 11
YDF-008	15	100/200	10000/12000	110	40	350	3.8	45 x 35 x 12
YDF-009	40.5	100/200	6300/12500	185	80	-	-	-

10KV-15KV



YDF-010



YDF-011



YDF-012

Type	Rated voltage(kv)	Rated Current(A)	Breaking Current(A)	Impulse voltage(BIL)	Power-frequency withstand voltage	Leakage distance (mm)	Weight (kg)	Dimensions(cm)
YDF-010	15	100/200	6000/6000	110	40	320	5	48 x 30 x 12
YDF-011	15	100/200	6000/12000	110	45	380	5.8	49 x 36 x 16
YDF-012	15	100/200	10000/12000	100/110	40	260	8.5	48.5 x 44 x 13.5

15KV-27KV



YDF-013



YDF-014



YDF-015

Type	Rated voltage(kv)	Rated Current(A)	Breaking Current(A)	Impulse voltage(BIL)	Power-frequency withstand voltage	Leakage distance (mm)	Weight (kg)	Dimensions(cm)
YDF-013	15	100/200	10000/12000	125	45	330	9	50 x 33.5 x 12
YDF-014	15	100/200	10000/12000	125	45	350	8.5	45 x 34.5 x 10
YDF-015	15	100/200	10000/12000	125	45	350	12	50 x 36 x 13

24KV-27KV



YDF-016



YDF-017



YDF-018

Type	Rated voltage(kv)	Rated Current(A)	Breaking Current(A)	Impulse voltage(BIL)	Power-frequency withstand voltage	Leakage distance (mm)	Weight (kg)	Dimensions(cm)
YDF-016	24	100/200	8000/10000	150	65	480	10.5	51 x 32.5 x 16.5
YDF-017	24	100/200	8000/10000	150	65	540	12	49 x 35 x 14
YDF-018	24	100/200	8000/10000	150	65	470	13	56 x 38 x 10.5

27KV-33KV



YDF-019

33KV-36KV



YDF-020



YDF-021

Type	Rated voltage(kV)	Rated Current(A)	Breaking Current(A)	Impulse voltage(BIL)	Power-frequency withstand voltage	Leakage distance (mm)	Weight (kg)	Dimensions(cm)
YDF-019	30	100/200	6000/8000	170	70	700	15	56 x 38 x 14.5
YDF-020	35	100/200	6300/8000	170	70	870	16	90 x 40 x 13
YDF-021	33	100/200	6000/8000	170	70	820	27.5	68 x 17 x 15

10KV-15KV



YDF-022



YDF-023



YDF-024

Type	Rated voltage(kV)	Rated Current(A)	Breaking Current(A)	Impulse voltage(BIL)	Power-frequency withstand voltage	Leakage distance (mm)	Weight (kg)	Dimensions(cm)
YDF-022	10	100/200	6300/8000	100/110	42	230	6.2	48 x 27 x 12
YDF-023	12	100/200	6300/8000	110	42	260	7.5	53 x 32 x 12
YDF-024	12	100/200	6300/8000	110	42	350	8.8	61 x 13 x 42

DISCONNECTOR AND EARTHING SWITCH



GW5-40.5-126/630-3150 V-type centre breaker disconnector


Technical Parameters

No.	Item	Technical parameters	
1	Rated Voltage	kV	72.5 123 145
2	Rated Current	A	630 , 1250 , 1600 , 2000 , 2500 , 3150 , 4000
3	Rated short time withstand current and time	kA/s	25 ~ 50/4
4	Rated peak withstand current	kA	63 ~ 125
5	1 min power frequency withstand voltage	kV	
		To earth	140 230 275
		To phase	140 230 275
6	Lightning impulse withstand voltage	kV	
		Across open DS	180 300 315
7	Rated mechanical terminal load	N	
		To earth	325 550 650
		To phase	325 550 650
		Across open DS	405 650 750
8	Max. Manual operating moment	N.m	
		Level/lateral load	750 1500 1500
		Level/vertical load	500 1000 1000
9	Control voltage	V	
		Vertical force	750 1000 1000
10	Motor voltage	V	
			200
			AC220 ; DC110 , 220
			AC220 , 380 ; DC110 , 220

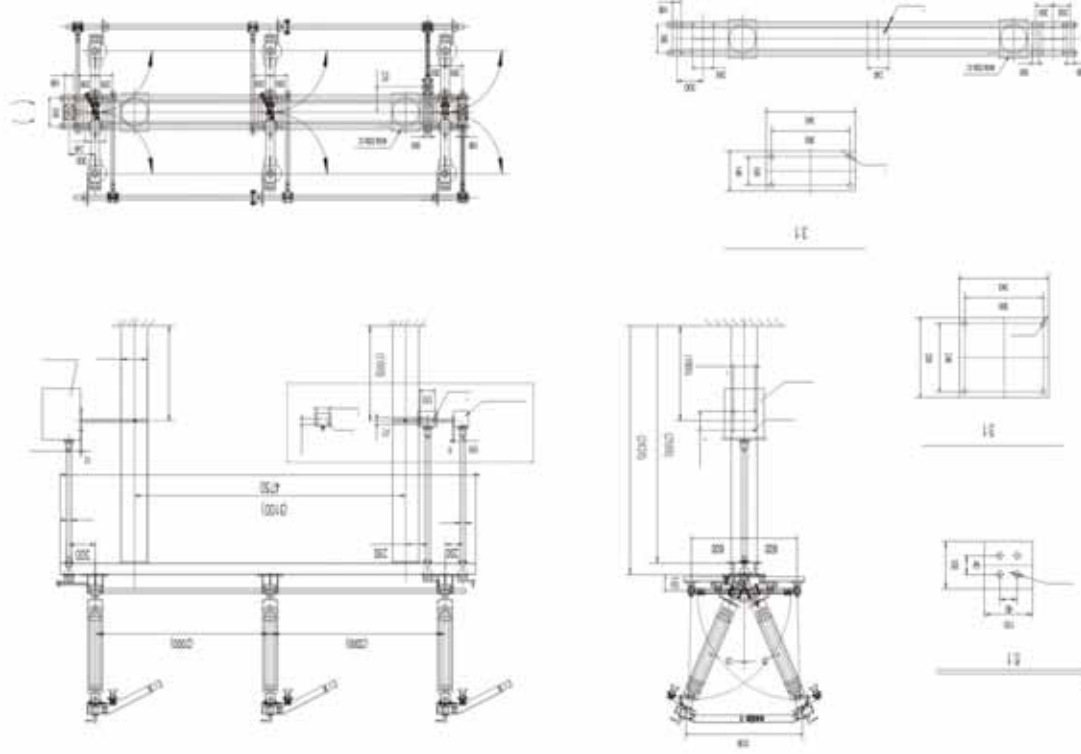


Figure-11 GW5 Disconnector(double) Installation dimension

GW17-72.5-252系列单柱单臂水平伸缩式隔离开关



Technical Parameters

No.	Item	Technical parameters					
		kV	123	145	245		
1	Rated Voltage	kV	72.5	123	145	245	
2	Rated Current	A	1250、1600、2000、2500、3150、4000				
3	Rated short time withstand current	kA/s	25 ~ 50/4				
4	Rated peak withstand current	kA	63 ~ 125				
5	1 min power frequency withstand voltage	kV	To earth	140	230	275	460
			To phase	140	230	275	460
			Across open DS	180	300	315	605
6	Lightning impulse withstand voltage	kV	To earth	325	550	650	1050
			To phase	325	550	650	1050
			Across open DS	405	650	750	1200
7	Rated mechanical terminal load	N	Level/lateral lead	750	1500	1500	2000
			Level/vertical lead	500	1000	1000	1500
			Vertical force	750	1000	1000	1250
8	Open and close capacity、reactive current	Capacity current	A				
		Reactive current	A				
9	Max. Manual operating moment	N.m	200				
10	Control voltage	V	AC 220 ; DC 110 ; 220				
			AC 220 ; 380 ; DC 110 ; 220				
11	Motor voltage	V	AC 220 ; 380 ; DC 110 ; 220				

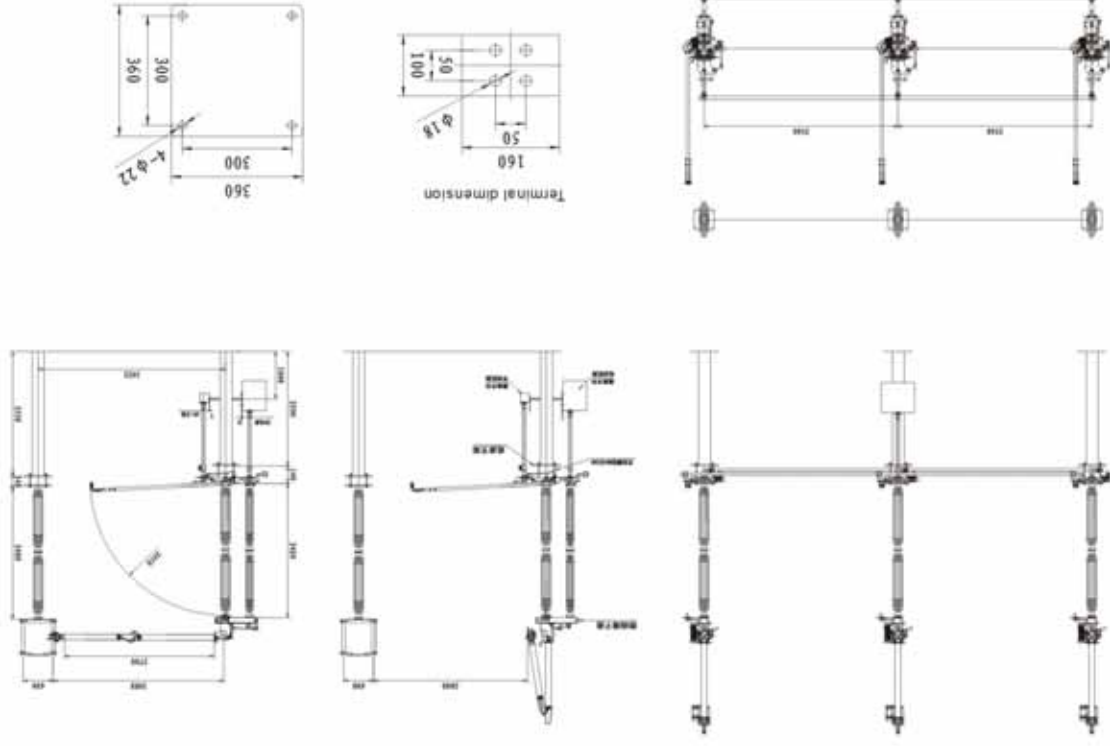


Figure-16 GW17 Installation dimension

JW-40.5-252/630 Earthing switch



Technical Parameters

No.	Item	Technical parameters										
1	Rated Voltage	kV	72.5	123	145	245						
3	Rated Current	A	630									
4	Rated short time withstand current and time	kA/s	25 - 50 / 4									
5	Rated peak withstand current	kA	63 - 125									
6	1 min power frequency withstand voltage	kV	To earth	140	230	275	460					
			To phase	140	230	275	460					
			Across open DS	180	300	315	605					
7	Lightning impulse withstand voltage	kV	To earth	325	550	650	1050					
			To phase	325	550	650	1050					
			Across open DS	405	650	750	1200					
8	Rated mechanical terminal load	N	Level of lateral lead	750	1500	1500	2000					
			Level of vertical lead	500	1000	1000	1500					
			Vertical force	750	1000	1000	1250					
9	Max Manual operating moment	N.m	200									
10	Control voltage	V	AC:220 ; DC:110 , 220									
11	Motor voltage	V	AC:220 , 380 ; DC:110 , 220									

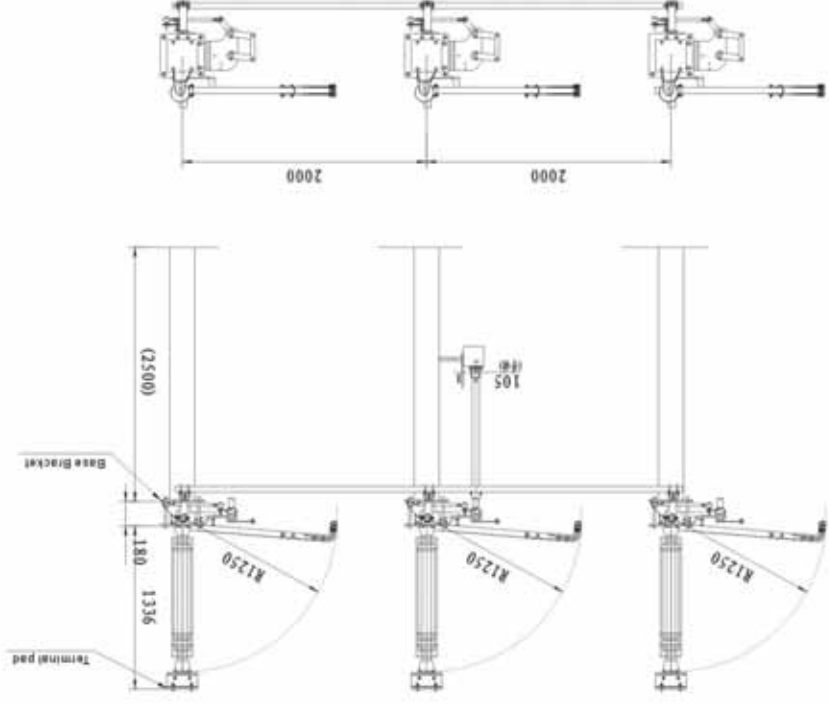
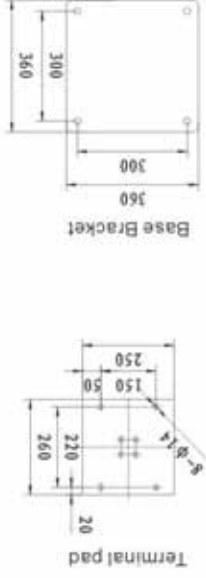
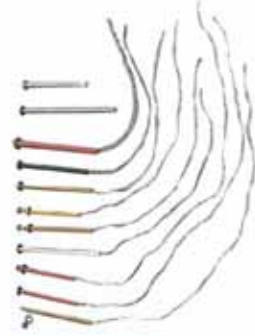


Figure-17 JW-126/630 Earthing switch installation dimension

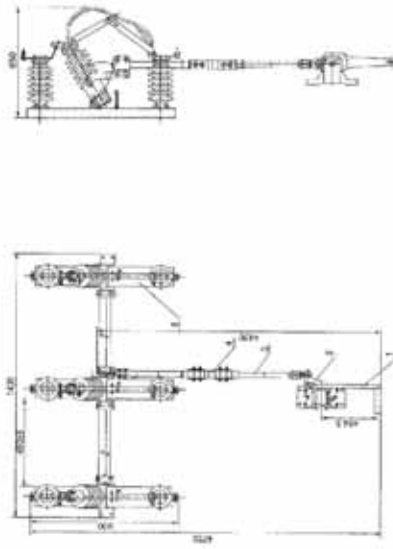
Fuse Link


Melting Speed Ratio: T type 10-13
K type 6-8

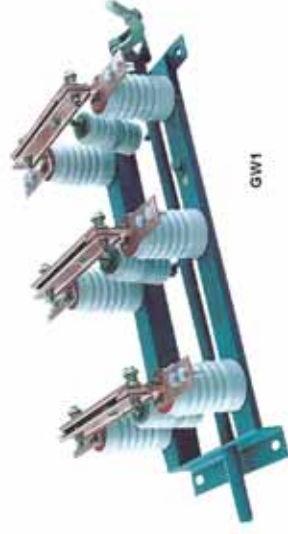
Rated Current: 1, 2, 3, 6, 8, 10, 12, 15, 20, 25, 30, 40,
50, 60, 65, 75, 80, 100, 140, 200A

Isolator Switch


GW2
11kV, 33kV



Type	Rated Voltage (kV)	Rated Current (A)	4S Heat steady e.c.A	Shock voltage (A)	Impulse withstand voltage		Power-frequency withstand voltage	
					To earth(kV)	Across the isolating distance (KV)	To earth(kV)	Across the isolating distance (KV)
GW2	11	400	12500	31500	75	95	38	42
	33	600	12500	31500	170	195	70	80



GW1

Type	Rated voltage (kV)	Rated Current (A)	4S Heat steady current(KA 4S)	Shock current (KA)
GW1-026a	12	400	12.5	31.5
GW1-026b	12	630	20	50
GW1-026c	12	1000	31.5	80
GW1-026d	12	1250	31.5	80
GW1-026e	12	400	12.5	31.5
GW1-026f	12	630	20	50
GW1-026g	12	1000	31.5	80
GW1-026h	12	1250	31.5	80



GW9



Type	Rated voltage (kV)	Rated current (A)	4S Heat steady current(KA 4S)	Shock current (KA)	Contact resistance (μ Ω)	Climbing Gasp (cm/KV)
GW9-027a	10	200	3.15	8	200	2.5
GW9-027b	10	400	3.15	8	200	2.5
GW9-027c	10	630	3.15	8	200	2.5
GW9-027d	10	400	12.5	31.5	150	2.5
GW9-027e	10	630	20	50	150	2.5
GW9-027f	10	400	12.5	31.5	150	3.5
GW9-027g	10	630	20	50	150	3.5
GW9-027h	10	1000	31.5	75	150	3.5
GW9-027i	15	400	31.5	8	200	3.5
GW9-027j	15	630	31.5	8	200	3.5
GW9-028a	10	400	12.5	31.5	150	3.5
GW9-028b	10	630	20	50	150	3.5
GW9-028c	10	1000	31.5	75	150	3.5