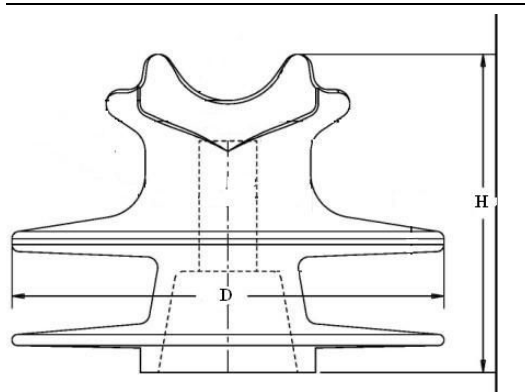
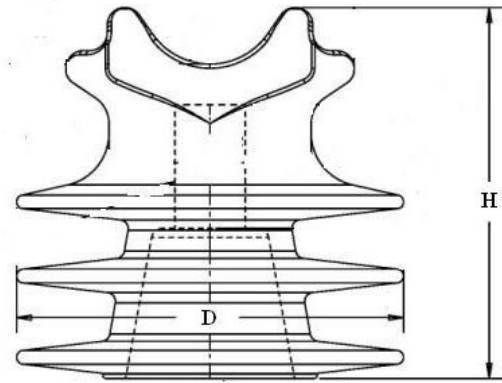


DWG.1



DWG.2



DWG.3

HDPE Pin type Insulator

Cat No.					
Class	35F-2	35F	25F-2	25F	15F
Fig. No.	1	1	2	2	3
Unit Spacing (H)-mm	181	181	140	140	133
Nominal Diameter (D)-mm	190	190	190	190	140
Pin Hole size(inch)	1 3/8	1	1 3/8	1	1
Nominal Creepage Distance-mm	533	533	368	368	317
Cantilever Strength-kN	13	13	13	13	13
Impulse Flashover-POS	160	160	130	160	110
Impulse Flashover-NEG	225	225	150	225	130
Power Frequency Flashover	Wet-KV	75	75	55	45
	Dry-KV	110	110	85	75
Power Frequency Puncture Voltage-KV	200	200	180	180	170
Radio Interference Voltage	Test Voltage to Ground-KV	22	22	10	10
	Max. RIV at 1MHz-uV	100	100	100	50
Weight-kg	1.2	1.2	0.9	0.9	0.6